

Motorised, universal
X-ray system with
bucky table and
wall stand

Amadeo R motorised

- **Autotracking** with bucky tray from wall stand / X-ray tube as well as table bucky / X-ray tube
- Wireless **3-way foot switch** for all motorised functions
- **Touchscreen operation** with up to 60 semi-automatic preset positions of tripod height, alignment and SID
- 6-position **height-adjustable table**
- **Collision sensors** & integrated safety functions with multiple emergency stop buttons



 Amadeo R *motorised*

Fulfills almost all requirements & wishes:



Suitable for all X-ray exposures in sitting, lying and standing position

Up to 60 semi-automatic preset positions of tripod height, alignment and SID

Autotracking with bucky tray from wall stand and X-ray tube

Autotracking with table bucky and X-ray tube



X-ray tube follows automatically if no objects are in the way



Intuitive 10" touchscreen display for simplified system operation



Integrated high-frequency X-ray generator, with customised anatomical programming (APR)



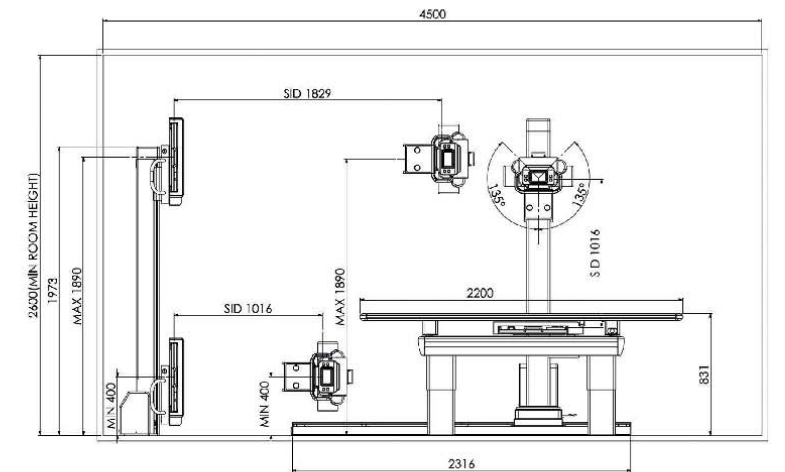
Integrated X-ray detector with fast image display and exceptional image quality

6-position height-adjustable table



Removable grid on the table as well as on the grid wall stand

Takes up only a small footprint without restricting full functionality



Arm supports for the patient

Operation via *dicomPACS*® DX-R acquisition console with 24" touchscreen monitor and integrated X-ray assistant



System can be lowered to the floor

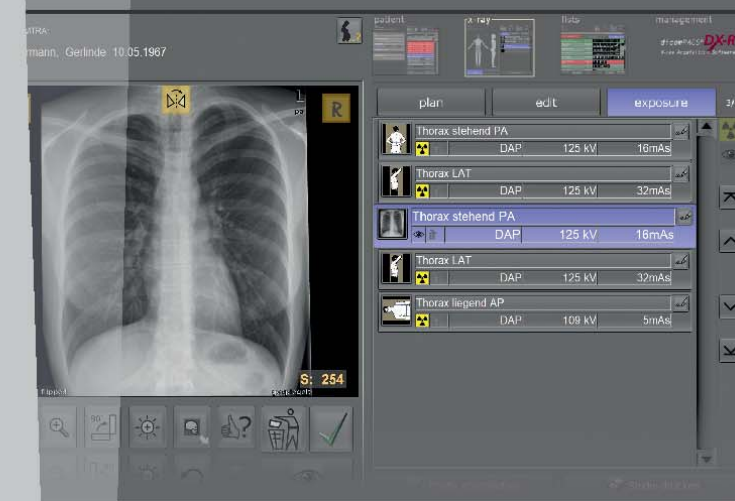
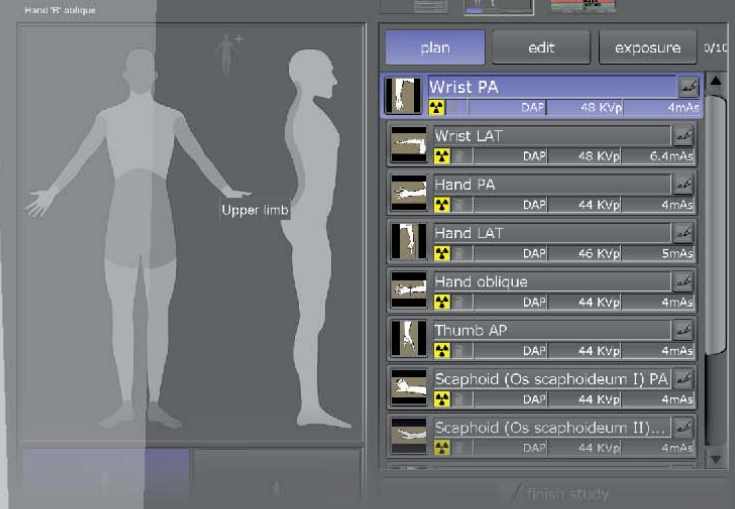
Integrated safety functions with several emergency stop buttons and collision sensors



Wireless 3-way foot switch for all motorised functions

Advantages of professional acquisition software

- Modern graphical user interface (GUI) adaptable to almost any language, **touchscreen** operation – to ensure quick and efficient work and a smooth workflow
- Capture patient data via **DICOM Worklist**, **BDT/GDT**, **HL7** or other protocols – data may also be captured manually
- Use **DICOM Procedure Codes** to transfer all relevant examination data directly from the connected patient management system (HIS/RIS)
- Freely configurable** body parts with more than **400 projections** and numerous possible adjustments already included
- Safe and fast **registration of emergency patients** allowing the user to **switch between examinations** of a patient, for instance to avoid having to re-position the patient frequently
- Allows the user to **subsequently add images** to an examination, even after that examination has been completed
- Additional **special functions** including Chiro Tools (diagnostic tools for efficient analyses) and tools assisting with NUCCA examinations
- User-defined macros for recurring examinations**, e.g. thorax screenings
- Fully **integrated radiographic positioning guide** for each examination incl. comprehensive notes, photos, videos and correct X-ray images
- Option to **control** a digital X-ray system **via wireless remote** incl. display of the worklist, preview of the image taken for checking and much more





Amadeo R *motorised*

Standard components

	Amadeo R-DR motorised- DR system with integrated tethered flat panel	Amadeo R-DR motorised- System with wireless flat panel
X-ray generator and X-ray tube <ul style="list-style-type: none"> Output power 50 kW (40 - 150 kVp, 10 - 630 mA, 400/480 V (+/- 10 %)) Rotatable anode X-ray tubes with double focus, focal spot 0.6 / 1.2 mm 	✓	✓
Tube stand <ul style="list-style-type: none"> Smooth, easy positioning of the X-ray arm with electromagnetic brake Stand rotatable $\pm 135^\circ$, vertical travel of 190 cm (length) X-ray tube rotatable $\pm 135^\circ$, transverse travel of 149cm (height) Manually operated collimator with halogen full field light localiser 	✓	✓
X-ray table <ul style="list-style-type: none"> Motorised and up to 30 cm height-adjustable tabletop 4-way floating X-ray table (228 x 80 cm) Travel lengthwise ± 38 cm, crosswise ± 10 cm Sturdy construction with high table load capacity, max. 350 kg Bucky incl. 3-field ionisation chamber (AEC) Removable grid L (85 L / cm; r 10:1, FFA = 80 - 110cm) 	✓	✓
Wall stand <ul style="list-style-type: none"> Height-adjustable, with counterbalance, vertical travel range 40-189 cm Bucky incl. 3-field ionisation chamber (AEC) Removable grid L (85 L / cm; r 10:1, FFA = 110 - 180 cm) 	✓	✓
Flat panel detector 14" x 17" CsI wireless Wireless X-ray imaging Direct radiography detector with fast charging, long-life batteries	-	✓
Flat panel detector 17" x 17" CsI Detector with excellent image quality and immediate image availability	✓	-
Auto-Tracking tube and bucky <ul style="list-style-type: none"> Motorised movement of the X-ray tube - Automatic central positioning of the X-ray tube on the centre of the bucky in the wall stand. Motorised movement of the bucky in the patient table - Automatic central positioning of the bucky in the patient table 	✓	✓
Operation by dicomPACS®DX-R acquisition station Mini PC with 24" touch screen monitor, 1920 x 1080 pixel inkl. the professional console software dicomPACS®DX-R with modern graphic user interface with generator control, integrated X-ray positioning guide and basic software modules: <ul style="list-style-type: none"> dicomPACS®DX-R DICOM Send SCU dicomPACS®DX-R DICOM Patient CD dicomPACS®DX-R Cognition Optimised Processing 	✓	✓
Optional Components		
<ul style="list-style-type: none"> DAP meter (dose area product meter) Lumbar spine / thoracic spine filter Generator upgrade to 65 kW / 80 kW 	✓	✓



Specifications subject to revision without notice

The editor strives to impart correct and up to date information. The provided specifications are based on current knowledge and are subject to revision without notice. This brochure is subject to correction. The editor assumes no responsibility for the information being up to date, correct and complete.

All furnished logos, pictures and graphics are property of the particular company and subject to copyright of the licensor. Use, dissemination, distribution or copying of the pictures, logos or text compiled or processed by the editor is subject to our written consent. All rights reserved.

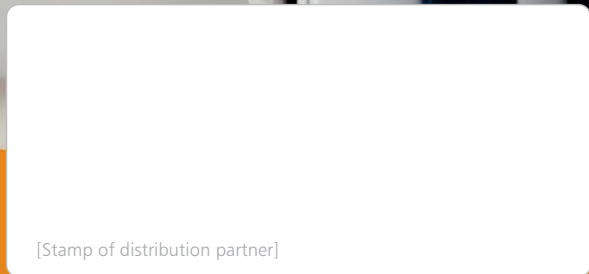
OR Technology

www.or-technology.com | X-perts in X-ray



OR Technology (Oehm und Rehbein GmbH), 18057 Rostock, Germany, Neptunallee 7c
Tel. +49 381 36 600 500, Fax +49 381 36 600 555
www.or-technology.com, info@or-technology.com

Info hotline: +49 381 36 600 600



[Stamp of distribution partner]



More information about Amadeo R motorised can be found here: www.or-technology.com