

Order No. AZ2900 / AZ2920 / AZ2700
AZ2722 / AZ2000

Amadeo Z

Fully motorised digital U-arm system

Digital, fully motorised U-arm system for low ceiling heights

The universal, powerful **Amadeo Z** system is a space-saving alternative for low ceiling heights. It includes all necessary components and functions for digital X-ray imaging without cassettes: motorised swivel arm system, generator, X-ray detector, PC and the **dicomPACS®DX-R** acquisition and diagnostic software.

The **Amadeo** is a fully motorised DR system and the swivel arm can be positioned easily and in seconds. The stand is equipped with four electric motors for precise and effortless positioning. The system allows patient positioning in a sitting, standing or lying position (table optional). The sophisticated design allows alignment between collimator and digital receptor in any position.

The **dicomPACS®DX-R** console provides all functions for operating the X-ray system.

Three versions of the **Amadeo Z** X-ray system are available:

- **Amadeo Z-DR** with built-in CsI X-ray detector
17" x 17" (43 cm x 43 cm)
- **Amadeo Z-DRw** with a mobile and wireless CsI X-ray detector 14" x 17" (35 cm x 43 cm)
- **Amadeo Z-AX** without an X-ray detector and for use with CR systems or film cassettes



System benefits

Optimal: Simple failsafe concept – entire system can be operated manually at any time, even if the motorisation should fail

Flexible: Full functionality at only 2.40 m room height – compact design and adjustable stand allow working at low ceiling heights

Precise: Effortless and precise positioning thanks to four electric motors

Time-saving: No additional effort required for rotating the detector (when using a 43 x 43 cm detector) – no tedious turning for landscape or portrait shots

Efficient: integration into your existing patient management system – patient data at the push of a button

Excellent: high-quality X-ray detector based on a caesium iodide (CsI) scintillator – top image quality even at low X-ray doses

User-friendly: self-explanatory OR Technology acquisition software **dicomPACS®DX-R** including free special measurement functions

Fast: shortly after taking the shot (6 - 8 seconds), the X-ray image is already available for viewing and diagnostic evaluation

Cleverly designed: integrated X-ray positioning guide helps choose the perfect positioning for each examination inclusive helpful photos, videos and correct X-rays images

Accessibility: integrated diagnostic software offers a worldwide, fast and cost-effective information exchange (via cloud or email)

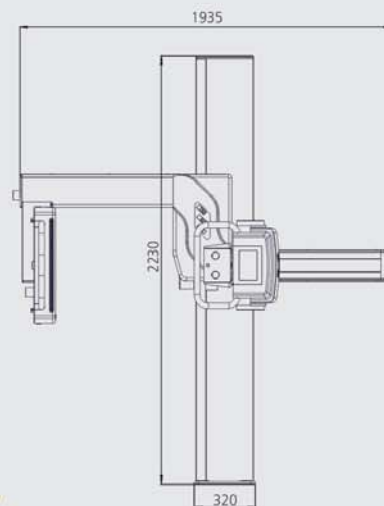
One of a kind: safe and quick registration of emergency patients and user-defined macros for recurring examinations, e.g. thorax screenings



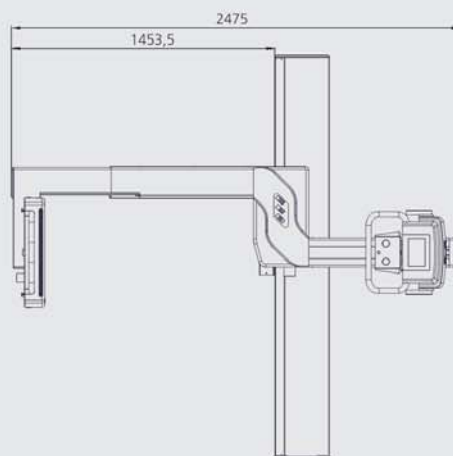


Measurements

Front min.

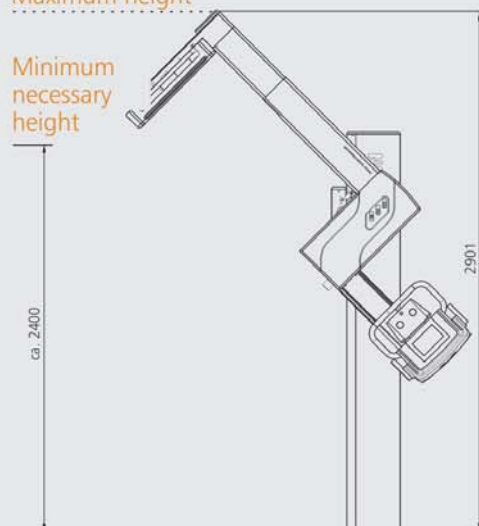


Front max.



Maximum height

Minimum necessary height



More information about
Amadeo Z can be found here:
www.or-technology.com

Advantages of professional acquisition software

- Modern graphical user interface (GUI) adaptable to almost any language, **touchscreen** operation – to ensure quick and efficient work and a smooth workflow
- Capture patient data via **DICOM Worklist**, **BDT/GDT**, **HL7** or other protocols – data may also be captured manually
- Use **DICOM Procedure Codes** to transfer all relevant examination data directly from the connected patient management system (HIS/RIS)
- **Freely configurable** body parts with more than **400 projections** and numerous possible adjustments already included
- Safe and fast **registration of emergency patients** allowing the user to **switch between examinations** of a patient, for instance to avoid having to re-position the patient frequently
- Allows the user to **subsequently add images** to an examination, even after that examination has been completed
- **Multi-generator operation** for alternating between mobile and stationary X-ray systems
- Additional **special functions** including Chiro Tools (diagnostic tools for efficient analyses) and tools assisting with NUCCA examinations
- **User-defined macros for recurring examinations**, e.g. thorax screenings
- Fully **integrated radiographic positioning guide** for each examination incl. comprehensive notes, photos, videos and correct X-ray images
- Option to **control** a digital X-ray system **via wireless remote** incl. display of the worklist, preview of the image taken for checking and much more



Standard components Amadeo Z systems

	DR system with integrated fixed flat panel Amadeo Z-DR	System with CR cassettes / wireless flat panel with generator control Amadeo Z-DRw	System for film / CR cassettes without generator control Amadeo Z-AX
50 KW HF generator	✓	✓	✓
Measuring chamber (AEC field)	✓	✓	✓
Motorised U-arm system <ul style="list-style-type: none"> • compact construction for a ceiling height of approx. 2.40 m • fully motorised and manual operation • motorised movements: 4 movements with electric brakes and clutches • manual movement: counterbalanced vertical and rotary movement (in most positions) • adjustable SID: 100 to 200 cm (39,5 bis 79") • vertical motion range: 125 cm (47,25") • arm rotation: -45 to +135 degrees, FP detector tilt: -45 to +45 degrees • X-ray tube rotation: range -90° to 90° • total assembled weight: approx. 400 kg (880 lbs) depending on accessories • tube side control: 7" wide screen LCD with automatic image rotation • manual controls: fully configurable brake release switches 		✓	✓
Automatic patient positioning (integrated in the U-arm system) <p>The motorized automatic patient positioning is operated with a user-friendly touch screen. The number of programmes and their positions may be defined during installation.</p>		✓	✓
X-ray tube 150 kVp standard: 0.6/ 1.2 mm focus, 18/50 kW, 300 kHU 12 degree target angle	✓	✓	✓
Manual Collimator	✓	✓	✓
Motorised bucky with removable grid	✓	✓	✓
Grid for SID 86 to 112 cm	✓	✓	✓
Wireless Csl flat panel detector 14" x 17" (35 x 43 cm)	-	✓	-
Csl flat panel detector 17" x 17" (43 x 43 cm)	✓	-	-
Operation by dicomPACS®DX-R acquisition station <p>Mini PC with 23" touch screen monitor, 1920 x 1080 Pixel incl. the professional console software dicomPACS®DX-R with modern graphic user interface with generator control, integrated X-ray positioning guide and basic software modules:</p> <ul style="list-style-type: none"> • dicomPACS®DX-R DICOM Send SCU • dicomPACS®DX-R DICOM Patient CD • dicomPACS®DX-R Cognition Optimised Processing 		✓	-
Operator control via generator software	-	-	✓
Optional components			
<ul style="list-style-type: none"> • DAP meter (Dose Area Product meter) • Upgrade from 50 KW to 65 KW or to 80 KW • Remote Control (Bluetooth) for U-arm system, stitching (Stand), motorised collimator without filter exchange, motorised collimator with filter exchange, LWS/ BWS filter - to replace manual, patient positioning table 	✓	✓	✓

Specifications subject to revision without notice

The editor strives to impart correct and up to date information. The provided specifications are based on current knowledge and are subject to revision without notice. This brochure is subject to correction. The editor assumes no responsibility for the information being up to date, correct and complete.

All furnished logos, pictures and graphics are property of the particular company and subject to copyright of the licensor. Use, dissemination, distribution or copying of the pictures, logos or text compiled or processed by the editor is subject to our written consent. All rights reserved.

OR Technology



www.or-technology.com | X-perts in X-ray

OR Technology (Oehm und Rehbein GmbH), 18057 Rostock, Germany, Neptunallee 7c
Tel. +49 381 36 600 500, Fax +49 381 36 600 555
www.or-technology.com, info@or-technology.com

Info hotline: +49 381 36 600 600



[Stamp of distribution partner]