



OR Technology

Cost-effective full
X-ray system for small
animal practices

Amadeo V nano II

- **5,6 kW High-frequency generator** directly integrated in the X-ray table with rotatable light-beam diaphragm
- **0.6 / 1.8 mm tube focus**
- Floating, **completely flat table top** without upstands with generous travel distance
- Connection to **standard socket** (230V~/10A) – no major modification measures necessary
- Large integrated **drawer** for positioning aids etc.



 Amadeo V nano II

Fulfills all your requirements and wishes:

X-ray generator conveniently operable via touch screen



High-frequency generator with vibration-free suspension and with rotatable light sighting diaphragm

Generator control for the entire small animal spectrum



Level 4-way floating table



Clamps for attaching fixing straps



Completely flat table top without upstands



Large drawer with 2 compartments for small parts and positioning aids etc. integrated in the table



Connection to standard socket (230V~/10A)

Special advantages

Excellent: high-quality X-ray detector based on a caesium iodide (CsI) scintillator – top image quality even at low X-ray doses

Optimal: removable grid for perfect image quality (optional)

User friendly: intuitive OR Technology acquisition software *dicomPACS®DX-R* including free special measuring functions und generator control (except AX version)

Efficient: integration into your existing patient management system – patient data at the push of a button (except AX version)

Upgradable: simple upgrade for reporting at additional workstations incl. use of tablet/MAC

Up to date: support of the very latest DICOM standard – connection to all PACS solutions

Cost-effective: simple extension to a hospital PACS solution with integration of all image sources and availability at all workstations

Clean: easy cleaning and disinfection

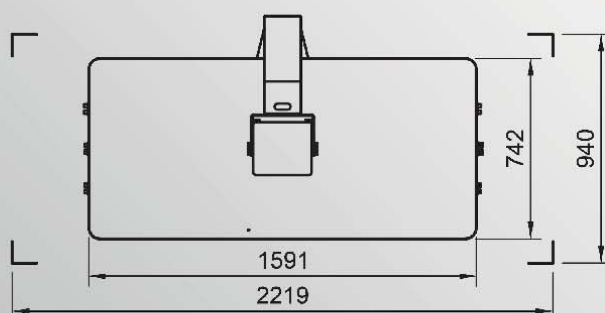
Design: Ambient lighting for a pleasant atmosphere in the examination room



More information about Amadeo V nano II you can be found here: www.or-technology.com

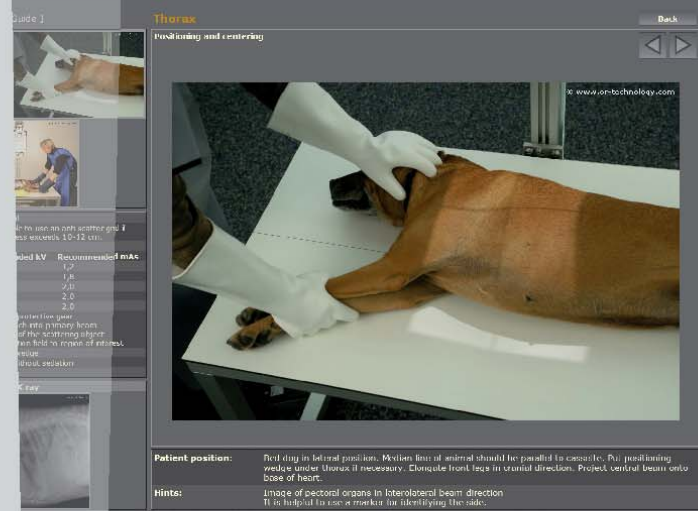


4-way floating table system with generous travel distances and very quiet brakes



Professional acquisition and diagnostic software

- Modern graphical user interface, **touchscreen** operation
- Capture of patient data via **DICOM Worklist, BDT/GDT, HL7** or other protocols – data may also be captured manually
- Use of **DICOM Procedure Codes** for the transfer of all relevant examination data directly from the connected patient management system (HIS/RIS)
- **Freely configurable** body parts with more than **200 projections** and numerous possible adjustments
- Safe and fast **registration of emergency patients** allowing the user to **switch between examinations** of a patient, for instance to avoid having to re-position the patient frequently
- Allows the user to **subsequently add images** to an examination, even after that examination has already been completed
- Special tools for veterinary medicine, such as an extra dialog box for patient and owner data, **integrated hip dysplasia measuring, MMP, TTA, TPLO and vertebral heart score (Buchanan), special image filters** and much more
- Fully **integrated radiographic positioning guide** for each examination incl. comprehensive notes, photos and correct X-ray images
- Suited for use in dental medicine, e.g. with a digital dental sensor or a dental CR system



OR Technology

www.or-technology.com | **X-perts in X-ray**



OR Technology (Oehm und Rehbein GmbH), 18057 Rostock, Germany, Neptunallee 7c
Tel. +49 381 36 600 500, Fax +49 381 36 600 555
www.or-technology.com, info@or-technology.com

Info hotline: +49 381 36 600 600



[Stamp of distribution partner]