

# Wireless flat panel detector Varex-PerkinElmer XRPad2 3025

25 x 30 cm [10 x 12 Zoll]

The XRpad2 3025 is a lightweight wireless flat panel detector weighing only 1.8kg. It offers an extended range of features such as internal image storage and a magnetic docking port.

Featuring best-in-class 100  $\mu\text{m}$  pixel size, direct deposition CsI scintillator or Gadox and excellent DQE, the XRpad2 3025 allows for high resolution imaging with reduced X-ray dosage. The design is lightweight, robust and ergonomic. Automatic Exposure Detection, on-board corrections, and wireless access point mode enable fast and optimal use in all situations.

- Dynamic mode with continuous output of up to 10 fps
- Onboard preview: The flat panel detector sends a preview immediately after image acquisition
- Acknowledge function: Buffering of acquired images
- High resolution 100  $\mu\text{m}$
- Pixel pitch (5.0 lp/mm)
- Pixel array 2508  $\times$  3004
- Dimensions (W x H x D)  
282 mm  $\times$  332 mm  $\times$  15.5 mm
- Weight approx. 1.8 kg (4 lbs)



# Wireless flat panel detector

## Varex-PerkinElmer XRPad2 3025

25 x 30 cm [10 x 12 Zoll]

### Parameter

Sensor	
Scintillator	Direct deposition CsI:Tl or Gadox
Active Area	248 mm × 297.6 mm
Pixel Matrix	2508 × 3004
Pixel Pitch	100 μm

Electronics	
Amplifiers	Low noise ASICs with user selectable gains
ADC	16-bit
Image Transfer Time	Wired: 300 ms; Wireless: 2000 ms
On-board Memory	1 GB DDR3, 8 GB SDHC card

Mechanical	
Size	ISO 4090 for 25 cm × 30 cm (10" × 12") cassette size
Active Area	2480 mm × 297.6 mm
External Dimensions (w/l/h)	282 mm × 332 mm × 15.5 mm
Weight	1.8 kg (4 lbs)
Housing	Aluminum frame with carbon fiber entrance window

Communications	
Status Display	OLED display with Wi-Fi, LAN, battery, and sensor indicators
Wireless Data I/F	802.11n Wi-Fi standard at 5 GHz
Wired Data I/F	GigE, trigger and power via docking connector
X-ray I/F	Integrated X-ray trigger control Automatic Exposure Detection (AED)

Imaging Performance	
Typical DQE	75% (0 cy/mm), 60% (1 cy/mm), 40% (3 cy/mm) for RQA5
Typical MTF	70% (1 cy/mm), 40% (2 cy/mm), 15% (4 cy/mm) for RQA5
Limiting Resolution	5 cy/mm

Environmental	
Temperature	10 °C to 35 °C operating
Humidity	20% to 80% operating
Ingress Protection	IPX4 rated (splash water protection)

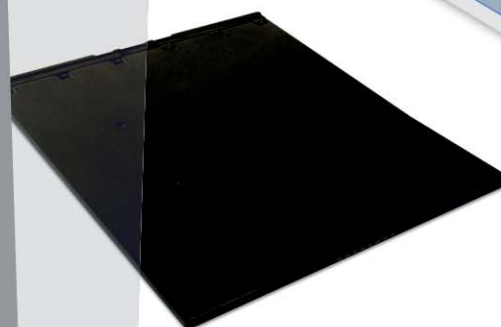
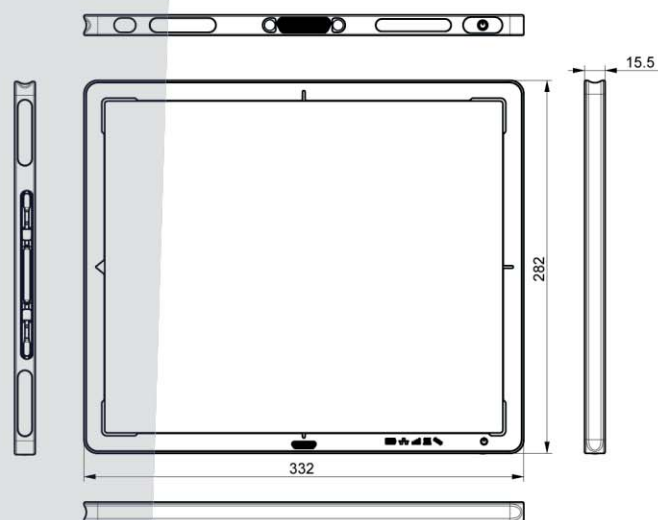
Accessories	
Battery	Rechargeable battery, 11.1 V
Battery Charger	External two bay charger 100 - 240 V, AC 50/60 Hz
Interface and Power Unit	Optional IPU-2 external power supply 100 – 240 V AC, GigE and X-ray I/F

Please visit [www.or-technology.com](http://www.or-technology.com) for more details

#### Specifications subject to revision without notice

The editor strives to impart correct and up to date information. The provided specifications are based on current knowledge and are subject to revision without notice. This brochure is subject to correction. The editor assumes no responsibility for the information being up to date, correct and complete. All furnished logos, pictures and graphics are property of the particular company and subject to copyright of the licensor. Use, dissemination, distribution or copying of the pictures, logos or text compiled or processed by the editor is subject to our written consent. All rights reserved.

**Headquarters:** OR Technology (Oehm und Rehbein GmbH), 18057 Rostock, Germany, Neptunallee 7c  
**Info-Hotline:** +49 381 36 600 600, [info@or-technology.com](mailto:info@or-technology.com), [www.or-technology.com](http://www.or-technology.com)  
**OR Technology UK:** Celtic SMR Ltd., Frederick House, Hayston View, Johnston, Haverfordwest, Pembrokeshire SA62 3AQ, United Kingdom, [www.celticsmr.co.uk](http://www.celticsmr.co.uk), [sales@celticsmr.co.uk](mailto:sales@celticsmr.co.uk)



Battery charger with batteries