



Fully motorised, digital
U-arm X-ray system –
suitable for all
X-ray exposures

Amadeo Z motorised

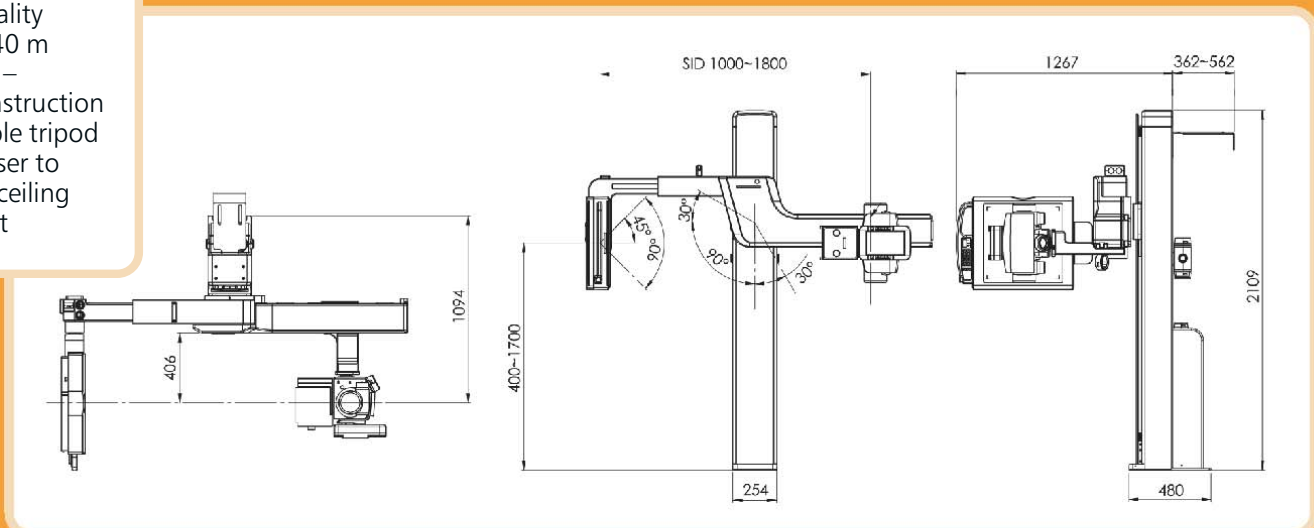
- System allows **patient positioning** sitting, standing or lying down (table optional)
- **Effortless and precise positioning** of the system due to five electric motors
- **Asynchronous displacement** of bucky tray and X-ray tube
- **Touchscreen operation** with up to 60 semi-automatic preset positions of tripod height, alignment and SID
- **Easy alignment** through automatic 0° position of Bucky or stand



 Amadeo Z *motorised*

This will inspire you:

Full functionality with only 2.40 m room height – compact construction and adjustable tripod enable the user to work at low ceiling height



Swivelling buckylade



Fixed X-ray detector with fast image display and exceptional image quality



Removable grid incl. storage tray



Bucky with fixed detector has all control buttons such as display, incl. SID, altitude and RED display

LED light indicates when desired position is reached

Effortless and precise positioning of the wall stand through five electric motors

Easy straight alignment of Bucky or U-arm through automatic 0° positioning

Up to 60 semi-automatic preset positions of wall stand height, alignment and SID



Suitable for all X-ray exposures in sitting, lying and standing position [except very special foot examinations]

Operation via *dicomPACS® DX-R* acquisition console with 24" touchscreen monitor and integrated X-ray assistant



Automatic stitching



System can be lowered almost to the floor



Integrated high-frequency X-ray generator, with customised anatomical programming (APR)

Intuitive 10" touchscreen display for simplified system operation

Integrated safety functions with several emergency off buttons and collision sensors




Asynchronous displacement of bucky tray and tube



The U-arm can be easily adjusted in seconds via display or remote control.

Amadeo Z **motorised**

Standard components

	Amadeo Z-DR motorised- DR system with integrated tethered flat panel	Amadeo Z-DR motorised- System with wireless flat panel	Amadeo Z-AX motorised- System for use with film/CR cassettes or existing DR system without Generator control
HF generator Output power 50 kW (40 - 150 kVp, 10 - 630 mA, 400/480 V (+/- 10 %)) Mini-Control Console and Handswitch, AEC (Automatic Exposure Control)	✓	✓	✓
U-arm stand <ul style="list-style-type: none"> • Compact design for low ceiling heights (min. 2.40 m) • Operation on the tube: 10" touch screen LCD with automatic image rotation • Integrated safety functions with emergency stop buttons and collision sensors • The X-ray beam is centered on the bucky and can also be rotated +/- 90° if required • The focus film distance ranges from 100 to 180 cm and is motorised adjustable • The central beam over the ground ranges from 400 mm at minimum and 1700 mm maximum and is motorised adjustable • Motorised rotation of the swivel arm from + 120° to - 30° • Manually operated collimator with LED full field light localiser • Bucky cabinet with 3-field ionisation chamber (AEC), the rotation is motorised • Removable grid L (85 L / cm, r 10:1, FFD = 110 - 180 cm) • Wireless remote control 	✓	✓	✓
X-ray tube Rotatable anode X-ray tubes with double focus, focal spot 0.6 / 1.2 mm	✓	✓	✓
CsI flat panel detector 14" x 17" CsI wireless Wireless X-ray imaging Direct radiography detector with fast charging, long-life batteries	-	✓	-
CsI flat panel detector 17" x 17" CsI Detector with excellent image quality and immediate image availability	✓	-	-
Manual collimator	✓	✓	✓
Bucky with removable grid	✓	✓	✓
Grid for FFD 110 to 180 cm	✓	✓	✓
Operation by dicomPACS® DX-R acquisition station Mini PC with 24" touch screen monitor, 1920 x 1080 pixel inkl. the professional console software dicomPACS® DX-R with modern graphic user interface with generator control, integrated X-ray positioning guide and basic software modules: <ul style="list-style-type: none"> • dicomPACS® DX-R DICOM Send SCU • dicomPACS® DX-R DICOM Patient CD • dicomPACS® DX-R Cognition Optimised Processing 	✓	✓	-
Optional Components			
<ul style="list-style-type: none"> • DAP meter (dose area product meter) • LWS / BWS filter • Generator upgrade to 65 kW / 80 kW 		✓	✓

Specifications subject to revision without notice

The editor strives to impart correct and up to date information. The provided specifications are based on current knowledge and are subject to revision without notice. This brochure is subject to correction. The editor assumes no responsibility for the information being up to date, correct and complete.

All furnished logos, pictures and graphics are property of the particular company and subject to copyright of the licensor. Use, dissemination, distribution or copying of the pictures, logos or text compiled or processed by the editor is subject to our written consent. All rights reserved.

OR Technology

www.or-technology.com | X-perts in X-ray



OR Technology (Oehm und Rehbein GmbH), 18057 Rostock, Germany, Neptunallee 7c
Tel. +49 381 36 600 500, Fax +49 381 36 600 555
www.or-technology.com, info@or-technology.com

Info hotline: +49 381 36 600 600



[Stamp of distribution partner]



More information about Amadeo Z motorised can be found here: www.or-technology.com