



Amadeo S motorised

Motorised digital U-arm X-ray system

Digital X-ray system for wireless and tethered X-ray detectors - with collision sensors for low ceiling heights from 2.40 m

The Amadeo S-DR motorised can be used universally for all diagnostic radiography applications. It includes all necessary components and functions for digital X-ray imaging without cassettes: motorised U-arm system, generator, X-ray detector, PC and the *dicomPACS®DX-R* acquisition and diagnostic software.

The fast and easy automated positioning of the stand together with the motorised adjustment of the shooting specific film focus distance allow for a wide variety of shots with the patient standing or lying on the mobile table (optional), including various tilting techniques. Features such as child filters, collision sensors, automatic setting of exposure parameters for different patient sizes and positioning buttons for fine adjustments complete the advantages of this system.

Two versions of the Amadeo S motorised system are available:

- Amadeo S motorised with a built-in X-ray detector
17" x 17" (43 cm x 43 cm)
- Amadeo S motorised with a wireless X-ray detector
17" x 14" (35 cm x 43 cm)



System benefits

Optimal: designed especially for small rooms (min. W/H/D 2.30 x 2.40 x 1.70 m) - guaranteed through compact design and collision sensors for room height and detector position for recordings on standing, sitting and lying patients

Convenient: easy manual positioning in all directions, including detector tilt for oblique projections - allows comfortable working

Simple: 60 preset positions for stand height, orientation and SID for each examination type

Comfortable: through automatic tripod positioning, motorized adjustment of the shooting specific film focus distance and customized anatomical programming (APR)

Efficient: Quick and easy positioning of the tripod → detector +/-40° rotatable and tube +/-90°, partly motorized

Safe: integrated safety functions with emergency stop buttons and collision sensors

Sophisticated: Control of the high-frequency generator and all system components via integrated 10" touch screen display console with multilingual support

Excellent: high-quality X-ray detector based on a caesium iodide (Csl) scintillator – top image quality even at low X-ray doses

User-friendly: self-explanatory OR Technology acquisition software *dicomPACS®DX-R* including free special measurement functions

Fast: shortly after taking the shot (6 - 8 seconds), the X-ray image is already available for viewing and diagnostic evaluation

Cleverly designed: integrated X-ray positioning guide helps choose the perfect positioning

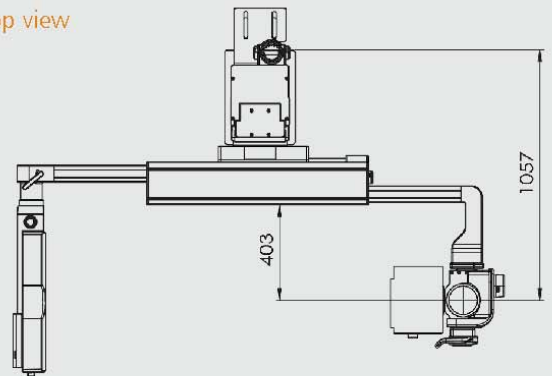
Accessibility: integrated diagnostic software offers a worldwide, fast and cost-effective exchange of information (via cloud or email)



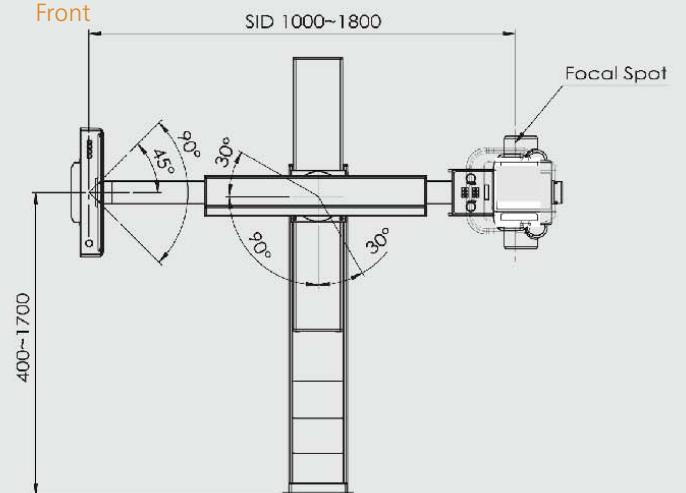


Measurements

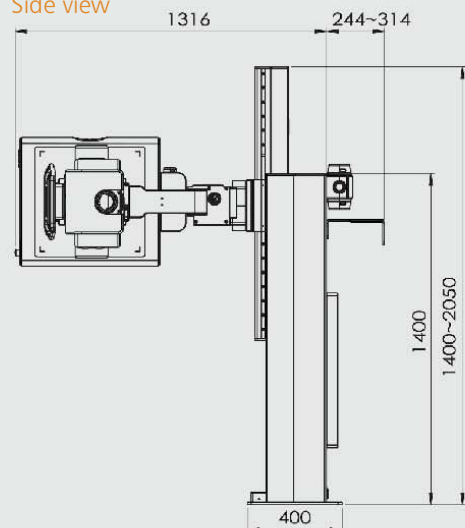
Top view



Front



Side view



More information about Amadeo S motorised can be found here: www.or-technology.com

Advantages of professional acquisition software

- Modern graphical user interface (GUI) adaptable to almost any language, **touchscreen** operation – to ensure quick and efficient work and a smooth workflow
- Capture patient data via **DICOM Worklist**, **BDT/GDT**, **HL7** or other protocols – data may also be captured manually
- Use **DICOM Procedure Codes** to transfer all relevant examination data directly from the connected patient management system (HIS/RIS)
- Freely configurable** body parts with more than **400 projections** and numerous possible adjustments already included
- Safe and fast **registration of emergency patients** allowing the user to **switch between examinations** of a patient, for instance to avoid having to re-position the patient frequently
- Allows the user to **subsequently add images** to an examination, even after that examination has been completed
- Additional **special functions** including Chiro Tools (diagnostic tools for efficient analyses) and tools assisting with NUCCA examinations
- User-defined macros for recurring examinations**, e.g. thorax screenings
- Fully **integrated radiographic positioning guide** for each examination incl. comprehensive notes, photos, videos and correct X-ray images
- Option to **control** a digital X-ray system **via wireless remote** incl. display of the worklist, preview of the image taken for checking and much more



Standard components

Amadeo S motorised

	Amadeo S-DR motorised-DR system with integrated fixed flat panel	Amadeo S motorised-System with CR cassettes / wireless flat panel with generator control
HF generator Output power 50 kW (40 - 150 kVp, 10 - 630 mA, 400/480 V (+/- 10 %))	✓	✓
Universal stand <ul style="list-style-type: none"> • Compact design for low ceiling heights (min. 2.40 m) • Operation on the tube: 10" touch screen LCD with automatic image rotation • Integrated safety functions with emergency stop buttons and collision sensors • X-ray radiation is centered on the buckylade and can be rotated +/- 90° if required • The focus-film distance ranges from 100 bis 180 cm einstellbar • The central beam over the ground ranges from 400 mm max. 1700 mm • Rotation of the swivel arm from + 120° bis - 30° • Manually operated collimator with LED full field light localiser • Bucky cabinet with 3-field ionisation chamber (AEC) • Removable grid L (85 L / cm, r 10:1, FFD = 110 - 180 cm) 	✓	✓
X-ray tube Focal spot 0,6 / 1,2 mm	✓	✓
Flat panel detector 14" x 17" CsI wireless <i>Wireless X-ray imaging!</i> <i>Fits into an existing X-ray system without requiring modification (in conformity with the X-ray film cassette), fast charging, long life batteries</i>	-	✓
Flat panel detector 17" x 17" CsI <i>Detector with excellent image quality and immediate image availability</i>	✓	-
Manual collimator	✓	✓
Bucky with removeable grid	✓	✓
Grid for FFD 110 to 180 cm	✓	✓
Operation by dicomPACS®DX-R acquisition station <i>Mini PC with 23" touch screen monitor, 1920 x 1080 Pixel inkl. the professional console software dicomPACS®DX-R with modern graphic user interface with generator control, integrated X-ray positioning guide and basic software modules:</i> <ul style="list-style-type: none"> • dicomPACS®DX-R DICOM Send SCU • dicomPACS®DX-R DICOM Patient CD • dicomPACS®DX-R Cognition Optimised Processing 	✓	✓
Optional components		
<ul style="list-style-type: none"> • DAP meter (dose area product meter) • LWS / BWS filter • Generator upgrade to 65 kW / 80 kW • Patient tables (various models: partly motorised height adjustment, floating table top, programmable working height etc.) 	✓	✓

Specifications subject to revision without notice

The editor strives to impart correct and up to date information. The provided specifications are based on current knowledge and are subject to revision without notice. This brochure is subject to correction. The editor assumes no responsibility for the information being up to date, correct and complete.

All furnished logos, pictures and graphics are property of the particular company and subject to copyright of the licensor. Use, dissemination, distribution or copying of the pictures, logos or text compiled or processed by the editor is subject to our written consent. All rights reserved.

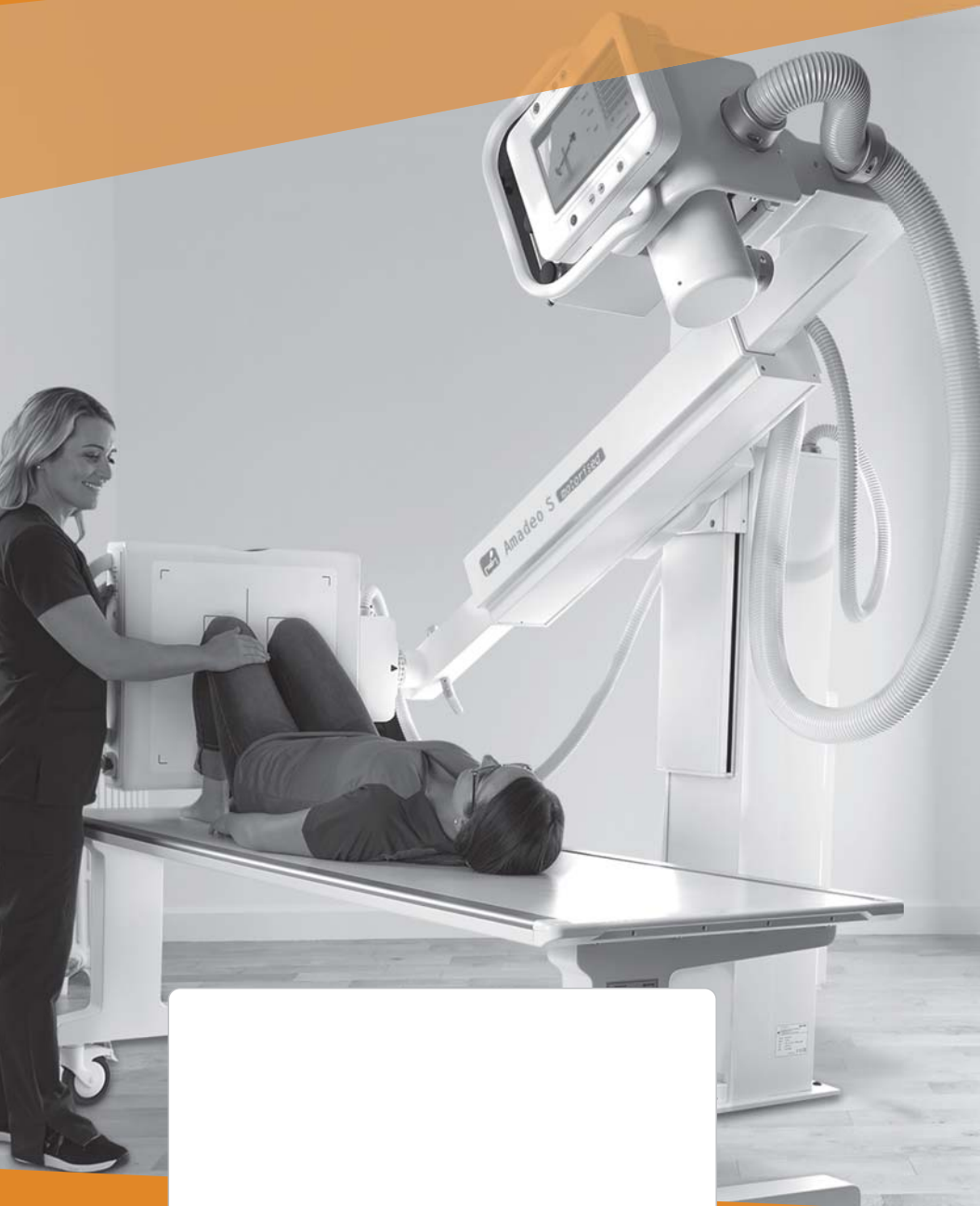
OR Technology

www.or-technology.com | X-perts in X-ray



OR Technology (Oehm und Rehbein GmbH), 18057 Rostock, Germany, Neptunallee 7c
Tel. +49 381 36 600 500, Fax +49 381 36 600 555
www.or-technology.com, info@or-technology.com

Info hotline: +49 381 36 600 600



[Stamp of distribution partner]