



Product·Information

Trolley stand light for all GIERTH X-ray units up to 10.5 kg

For mobile use in equine clinics and small animal practices

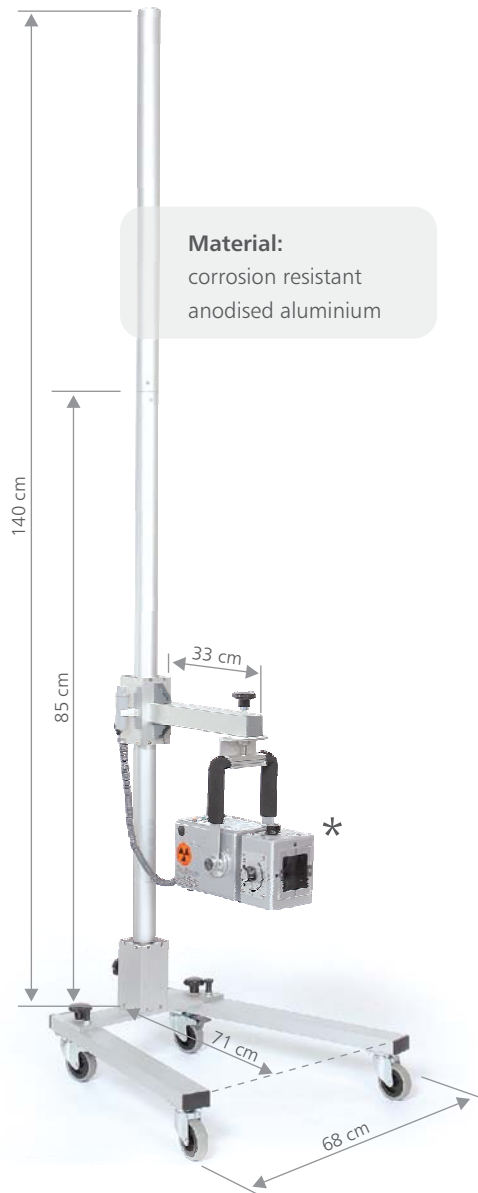
Brief description:

- Robust and versatile trolley stand on four wheels. The wheels are equipped with brakes
- Designed for all GIERTH X-ray units up to 10.5 kg
- X-ray unit can be positioned in all directions and angles (incl. for skyline view of navicular bone)
- Easy disassembly for transportation. Base can be folded like a "Z"
- Equipped with two piece rod:
 - Use short rod (85 cm) for radiographs from distal to proximal, incl. proximal hock
 - Use longer rod (140 cm) for radiographs of the stifle
 - Connect both rods to further extend the SID range



Trolley stand light for all GIERTH X-ray units up to 10.5 kg

Dimensions:



Components:

The stand can be dismantled into four components, The base folds into a compact "Z" shape.



X-ray unit mount
height adjustable



Short stand rod
and extension rod



Base (2 stand feet
with base plate)

Specifications subject to revision without notice

The editor strives to impart correct and up to date information. The provided specifications are based on current knowledge and are subject to revision without notice. This brochure is subject to correction. The editor assumes no responsibility for the information being up to date, correct and complete.

All furnished logos, pictures and graphics are property of the particular company and subject to copyright of the licensor. Use, dissemination, distribution or copying of the pictures, logos or text compiled or processed by the editor is subject to our written consent. All rights reserved.

Stemp of distribution partner