



Product·Information

Trolley stand for all GIERTH X-ray units up to 18.5 kg

For mobile use in equine clinics and small animal practices

Brief description:

- Sturdy, easy moveable trolley stand
- Designed for all GIERTH X-ray units up to 18.5 kg
- Base on four wheels
- Combination of two stainless steel rods (100 cm and 120 cm)
- Use one rod for all X-rays required for pre-purchase exams, incl. proximal hock
- Connect both rods to position the unit for horizontal beam projection up to 190 cm.
- Mounted X-ray unit can be positioned in all directions and angles.
- Crank mechanism for height adjustment from 0 to 190 cm.
- Combine with X-ray table or treatment table for utilization in small animal clinics.



Trolley stand for all GIERTH X-ray units up to 18.5 kg

Dimensions:

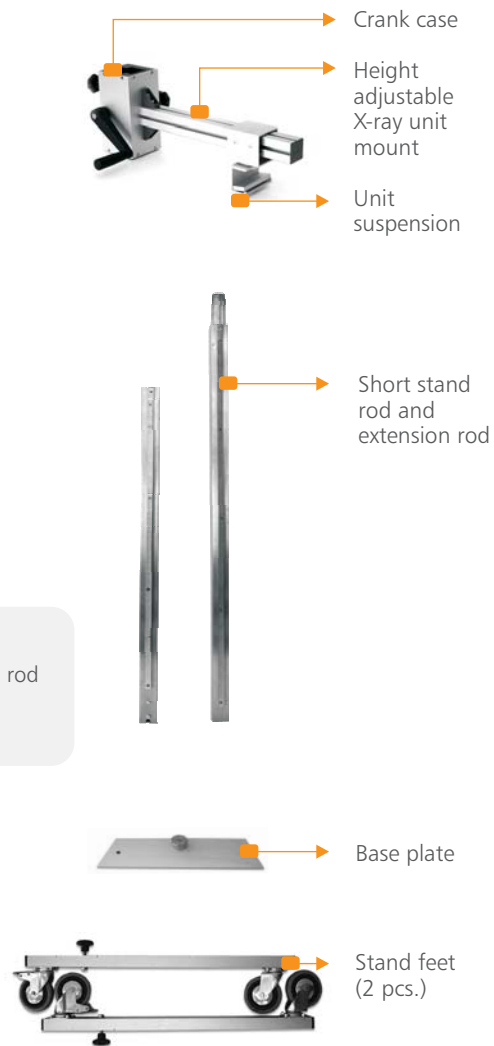


Material: corrosion resistant anodised aluminium, stainless steel rod

Total weight: 20 kg

Components:

The base can be dismantled into three components for easy transportation. The two piece rod can be taken apart, and the crank case detached



* The X-ray unit is not included

Specifications subject to revision without notice

The editor strives to impart correct and up to date information. The provided specifications are based on current knowledge and are subject to revision without notice. This brochure is subject to correction. The editor assumes no responsibility for the information being up to date, correct and complete.

All furnished logos, pictures and graphics are property of the particular company and subject to copyright of the licensor. Use, dissemination, distribution or copying of the pictures, logos or text compiled or processed by the editor is subject to our written consent. All rights reserved.

Stamp of distribution partner