



# Product Information

## X-ray table MultiVet

Ensures comfortable and effortless working

### Brief description

- X-ray generator can be positioned in all directions and angles
- Wide field of application (vertical, horizontal and slanted beam direction)
- Incorporated module for taking X-rays of standing animals (horizontal beam direction)
- Built in grid ready cassette drawer accepts all cassette sizes
- The cassette holder moves simultaneously with the X-ray unit along the table
- Optional: adjustable positioning aide for dysplasia coxae
- Dimensions of table top: 155.5 x 67.5 cm, working height: 73.0 cm
- Space requirement for MultiVet (required working space not considered)
  - Height: 230 to 250 cm (depending on X-ray generator and room height)
  - Length: 180 cm
  - Depth: 80 cm (135 cm with extension leaf folded out)

The MultiVet X-ray table is designed for under table and tabletop exposures. MultiVet facilitates an effortless and easy workflow. The X-ray generator can be positioned for vertical, horizontal and slanted beam direction.

The X-ray unit support pole moves along the table and is connected with the cassette drawer. The X-ray unit is always perfectly aligned with the X-ray cassette. Only minimum repositioning of the patient is required.



(Without X-ray generator) →

# X-ray table MultiVet

The cassette holder accepts all cassette sizes (up to 35 x 43 cm). The cassettes, regardless of size, are always lined up with the lateral centerline on the table top. The holder has a slide-in rail for the X-ray grid. Only one grid (size 35 x 43 cm) is required for all cassette sizes. The unit support features an innovative counterweight system for moving the X-ray unit effortlessly, quickly and smoothly to the required SID position. The X-ray unit can be adjusted to any angle and direction, so that

exposures in slanted beam direction etc. are possible. Exposures of standing patients can be taken with the help of an additional upright, retractable cassette holder (please specify cassette size) on the left table side (right side on request) and a fold-up table leaf. The cassette holder is grid ready.

MultiVet is made from anodised aluminium.

The radiolucent white synthetic tabletop is easy to clean and disinfectant proof.

### Table dimensions top:

155.5 x 67.5 cm

Working height: 73.0 cm

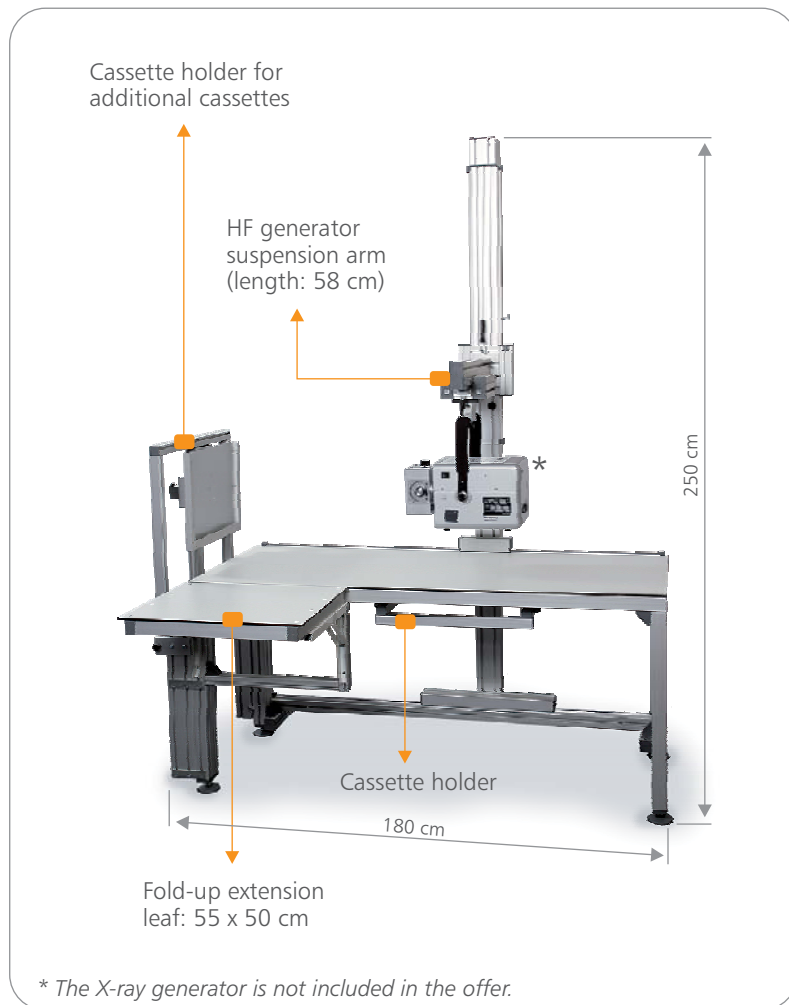
### Space requirement:

(Required working space not considered)

Height: 230 to 250 cm

(depending on X-ray generator and room height)

Length: 180 cm



### Specifications subject to revision without notice

The editor strives to impart correct and up to date information. The provided specifications are based on current knowledge and are subject to revision without notice. This brochure is subject to correction. The editor assumes no responsibility for the information being up to date, correct and complete.

All furnished logos, pictures and graphics are property of the particular company and subject to copyright of the licensor. Use, dissemination, distribution or copying of the pictures, logos or text compiled or processed by the editor is subject to our written consent. All rights reserved.

Stamp of distribution partner